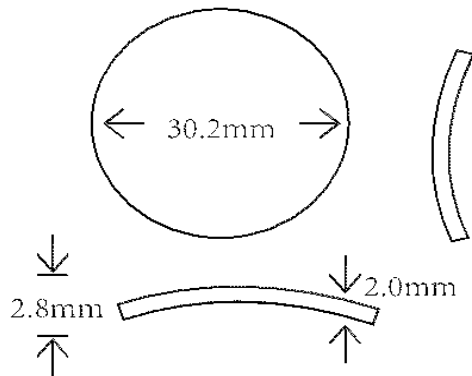


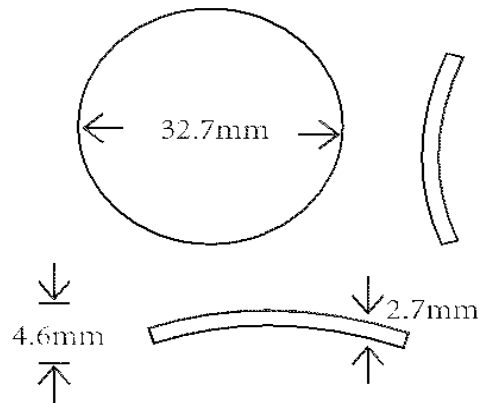
BRANDED SAPPHIRE GLASS

1) GS-BLC-CB1



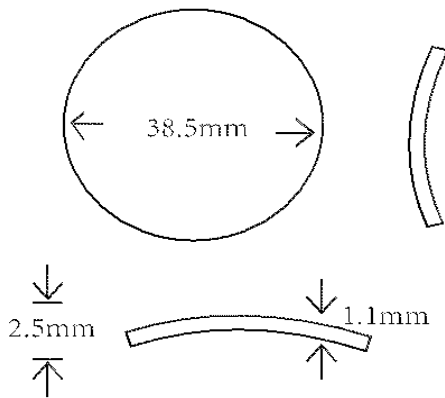
SAPPHIRE GLASS WITH ANTI-REFLECTING COATING,
FOR BREITLING CHRONOMAT A13352

2) GS-BLC-EB1



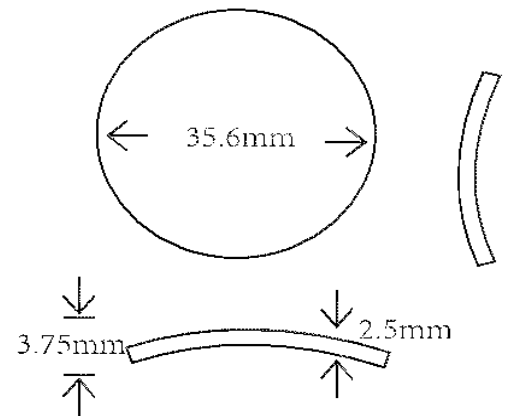
SAPPHIRE GLASS WITH ANTI-REFLECTING COATING,
FOR BREITLING EVOLUTION A13356

3) GS-BLC-NTB1



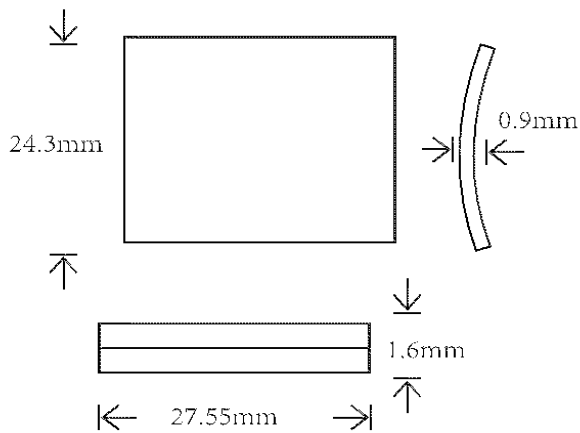
SAPPHIRE GLASS WITH ANTI-REFLECTING COATING,
FOR BREITLING NAVITIMER 806-A23322

4) GS-BLC-SAB1



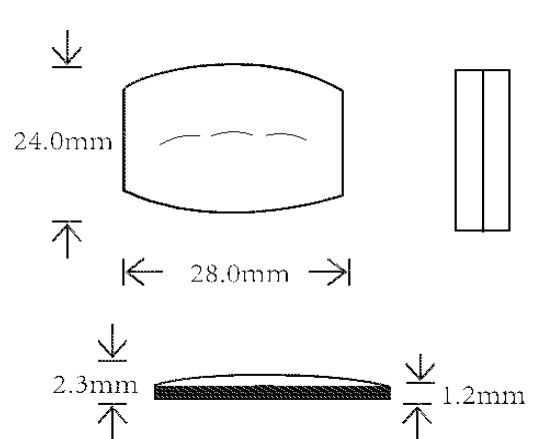
SAPPHIRE GLASS WITH ANTI-REFLECTING COATING,
FOR BREITLING SUPER AVENGER A13370

5) GS-CTC-01-DTF



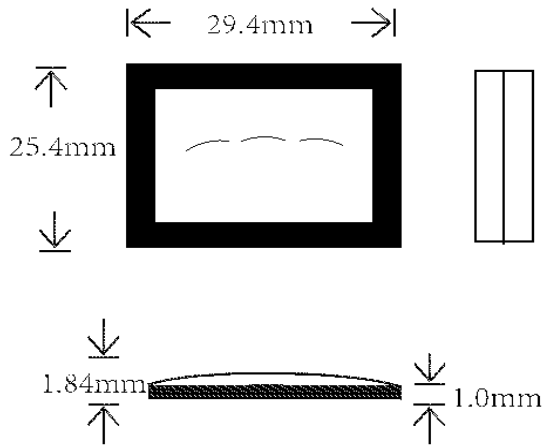
SAPPHIRE GLASS, DTV-27.55X24.3XH0.9, FOR CARTIER

6) GS-CTC-02-STF



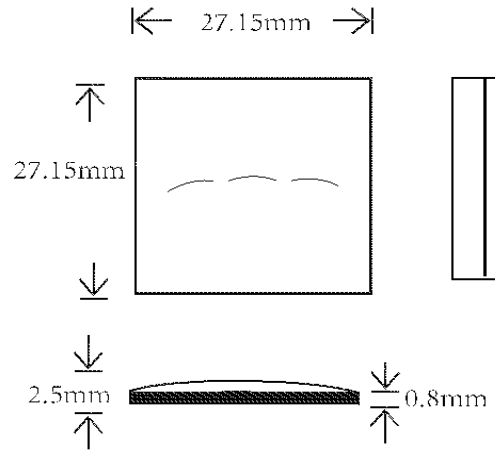
SAPPHIRE GLASS, STV-28X24X2.3X1.2, FOR CARTIER

7) GS-CTC-03-STG



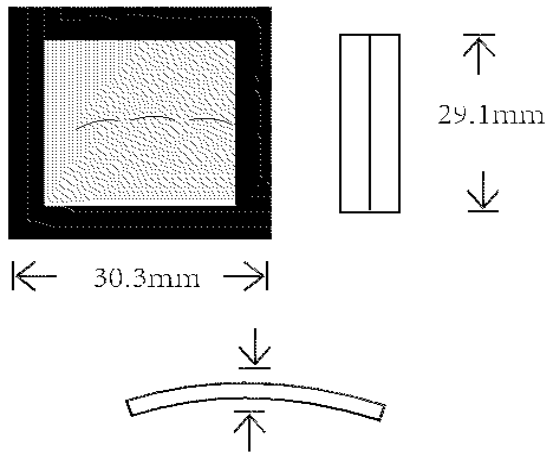
SAPPHIRE GLASS, STVP-25.4X29.4X1.84X1.0G, WITH GOLD RING PLATING, FOR CARTIER

8) GS-CTC-04-DTF



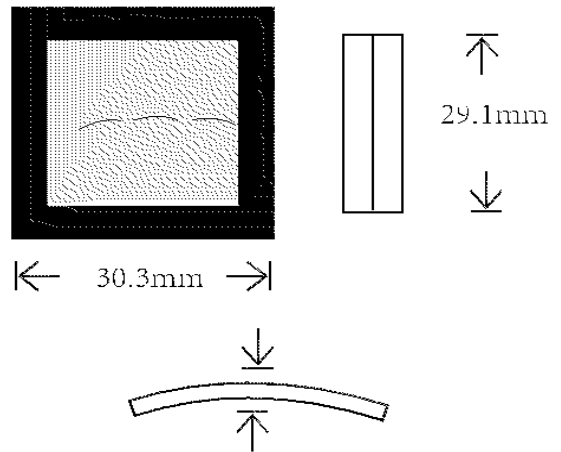
SAPPHIRE GLASS, DTV-27.15X27.15X36.0X2.5, FOR CARTIER

9) GS-CTR-05-DTVP



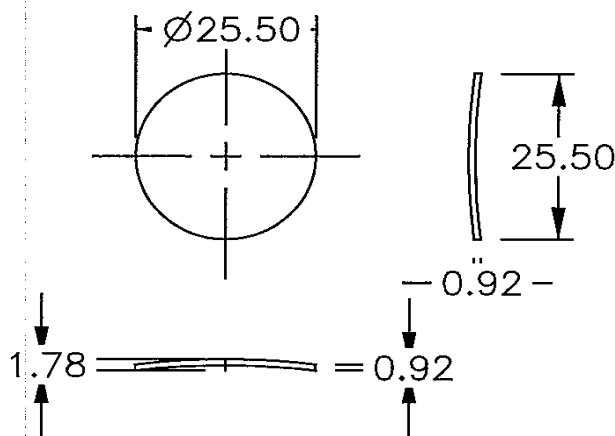
SAPPHIRE GLASS, DTVP-30.3X29.1X40.64X2.25, WITH GOLD RING PLATING, FOR CARTIER

10) GS-CTR-05-DTVS



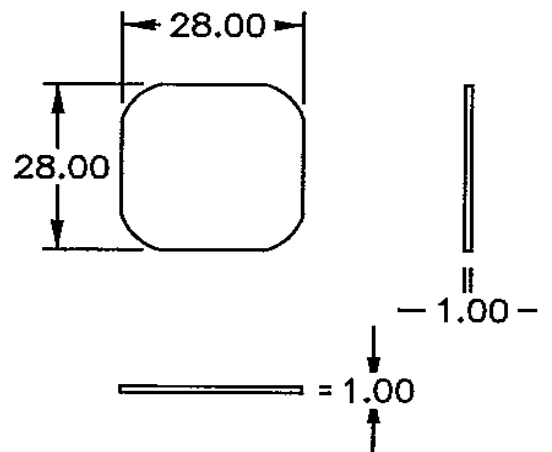
SAPPHIRE GLASS, DTVP-30.3X29.1X40.64X2.25, WITH SILVER PLATING RING, FOR CARTIER

11) GS-CTR-06-DR



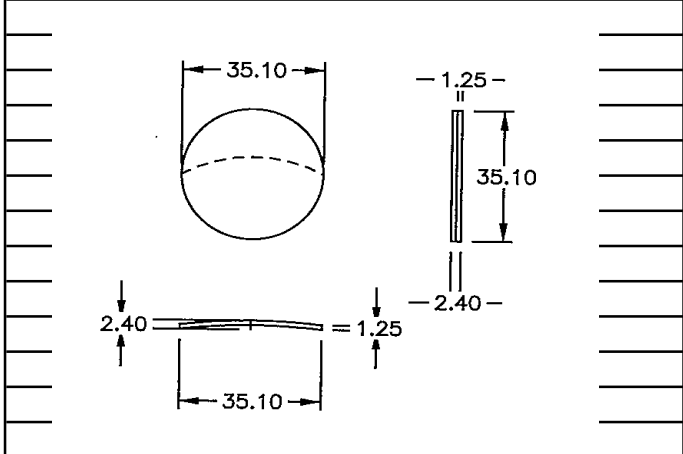
SAPPHIRE GLASS, DR-25.5X1.71X0.92, FOR CARTIER

12) GS-CTC-07-FTF



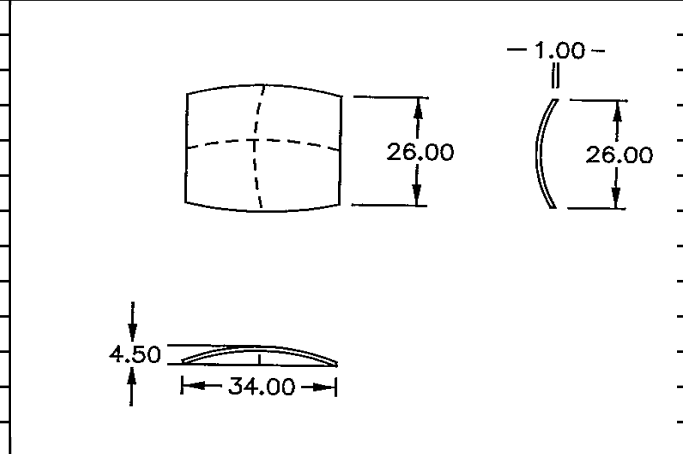
SAPPHIRE GLASS, FTV-28.0X28.0X30.0X1.0, FOR CARTIER

13) GS-CTC-08-DRF



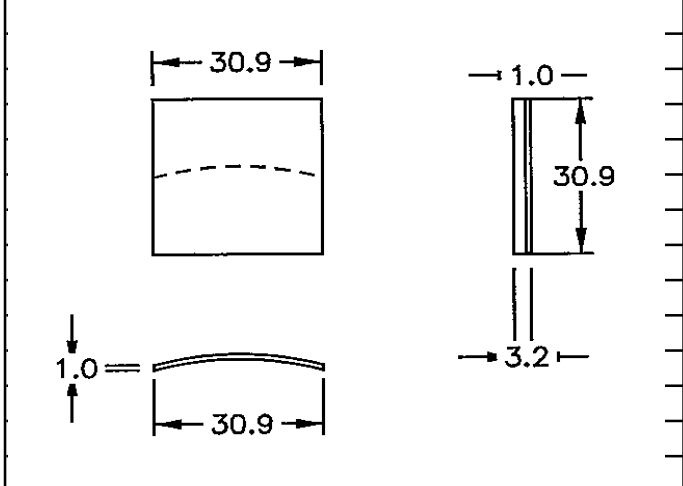
SAPPHIRE GLASS, DR-35.1X1.25X2.4, FOR CARTIER

14) GS-FMC-01-CTF



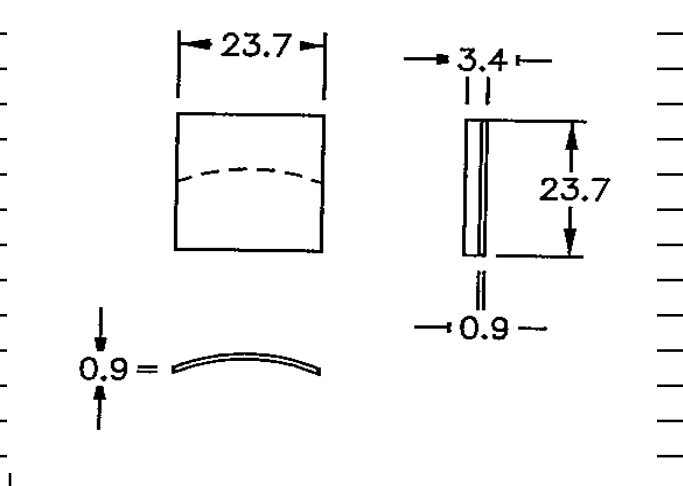
SAPPHIRE GLASS, CDTV-34X26XHX1.0, FOR FRANCK MULLER

15) GS-FMC-03-DTF



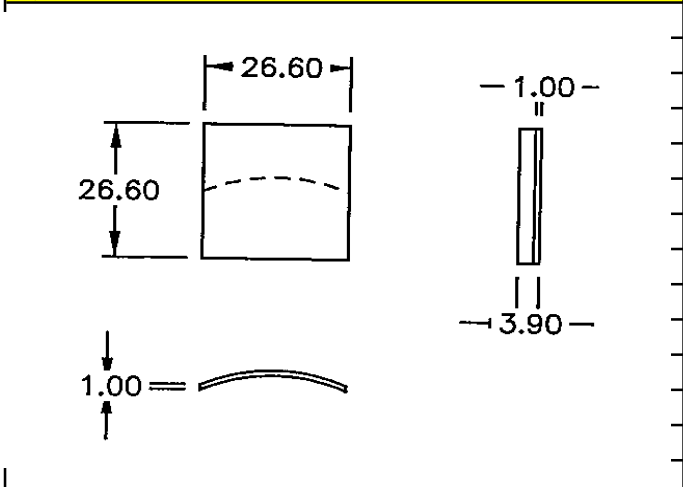
SAPPHIRE GLASS, DTV-30.9X30.9X1.0, FOR FRANCK MULLER

16) GS-FMC-04-DTF



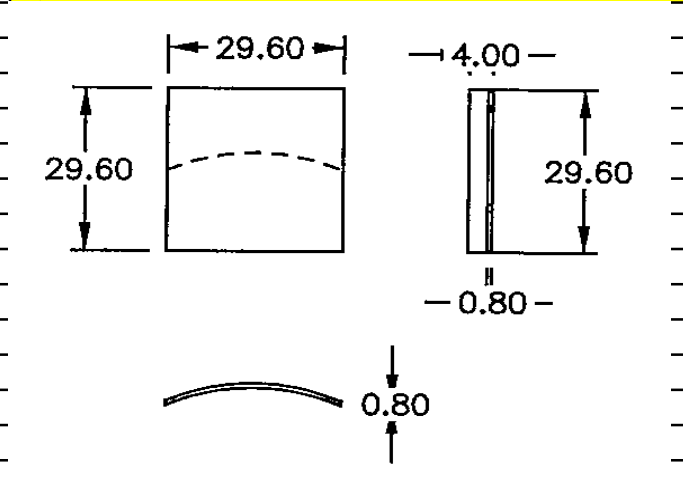
SAPPHIRE GLASS, DTV-23.7X23.7X0.9, FOR FRANCK MULLER

17) GS-FMC-05-DTF



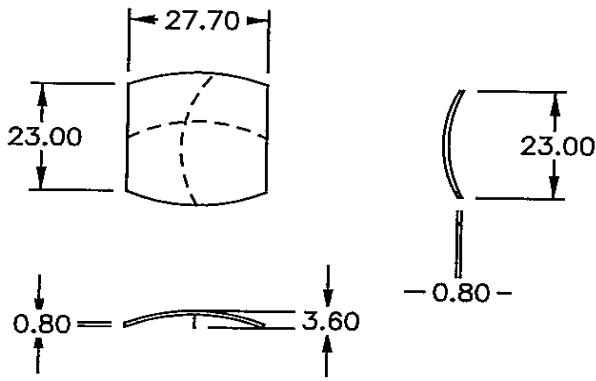
SAPPHIRE GLASS, DTV-26.6X26.6X1.0, FOR FRANCK MULLER

18) GS-FMC-06-DTF



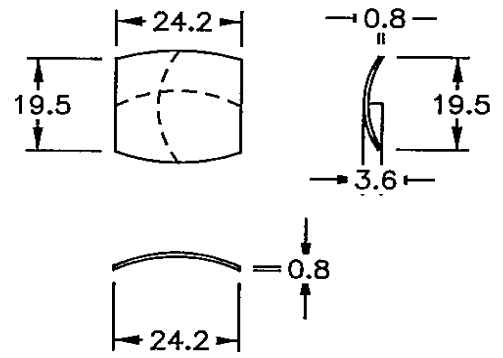
SAPPHIRE GLASS, DTV-29.6X29.6X0.9, FOR FRANCK MULLER

19) GS-FMC-09-CTF



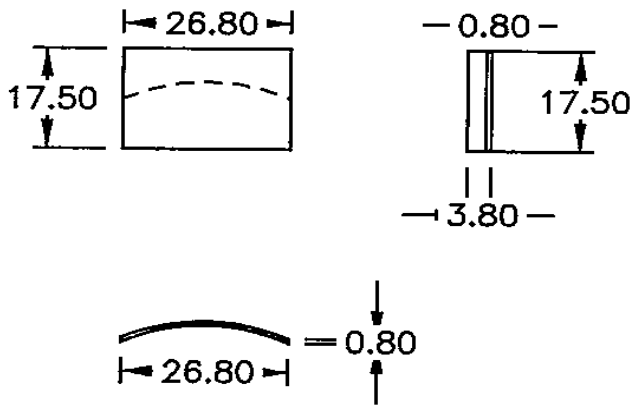
SAPPHIRE GLASS, CDTV-27.7X23.0X0.8, FOR FRANCK MULLER

20) GS-FMC-10-CTF



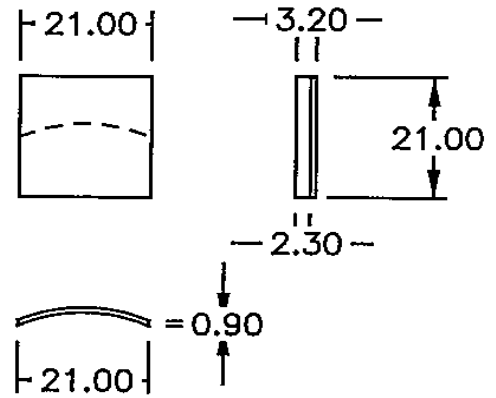
SAPPHIRE GLASS, CDTV-24.2X19.5X0.8, FOR FRANCK MULLER

21) GS-FMC-11-DTF



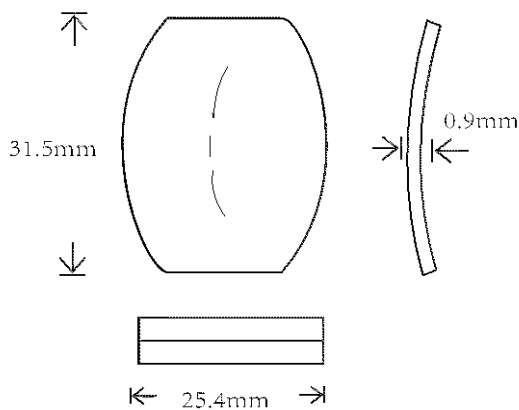
SAPPHIRE GLASS, DTV-26.8X17.5X0.8, FOR FRANCK MULLER

22) GS-FMC-17-DTF



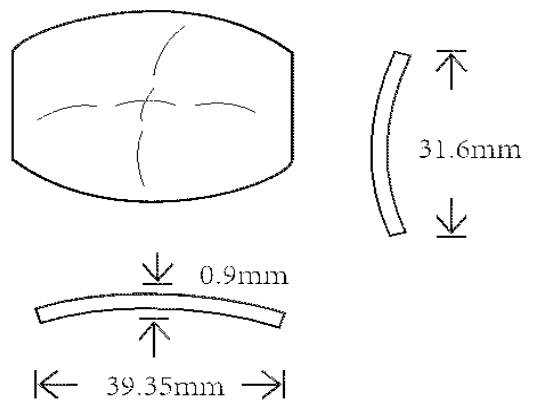
SAPPHIRE GLASS, DTV-21.0X21.0X0.9, FOR FRANCK MULLER

23) GS-FMC-18-DTV



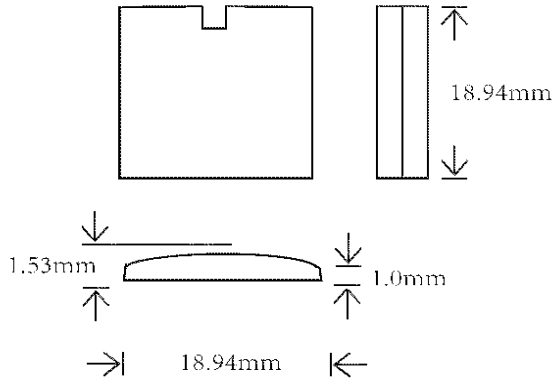
SAPPHIRE GLASS, DTV-25.4X31.5X0.9, FOR FRANCK MULLER

24) GS-FMC-19-CTF



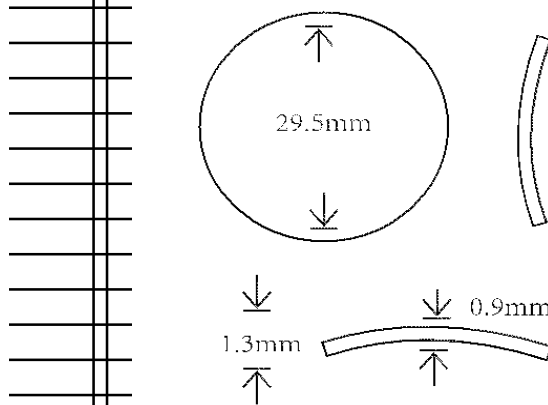
SAPPHIRE GLASS, CDTV-39.35X31.6X0.9, FOR FRANCK MULLER

25) GS-GCC-01-SSF



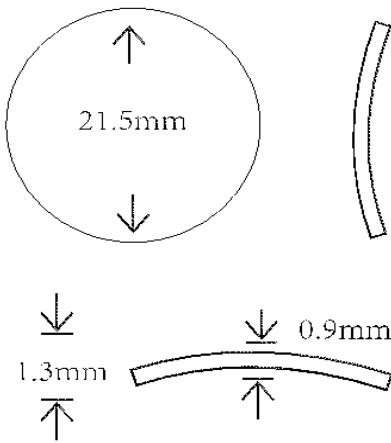
SAPPHIRE GLASS, STVC-18.94X18.94X1.53X1.0, FOR GUCCI

26) GS-LGC-01-DRF



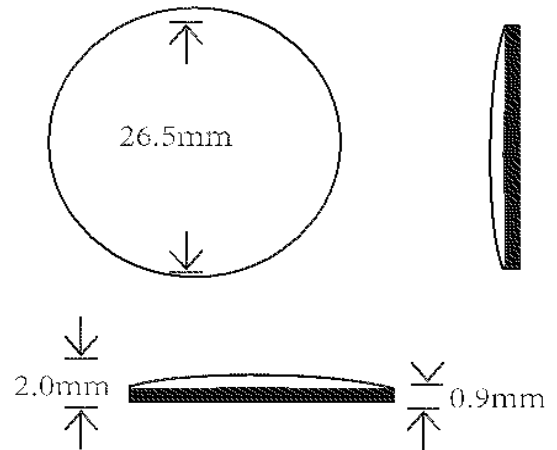
SAPPHIRE GLASS, DR-29.5X1.3X0.9, FOR LONGINES

27) GS-LGC-02-DRF



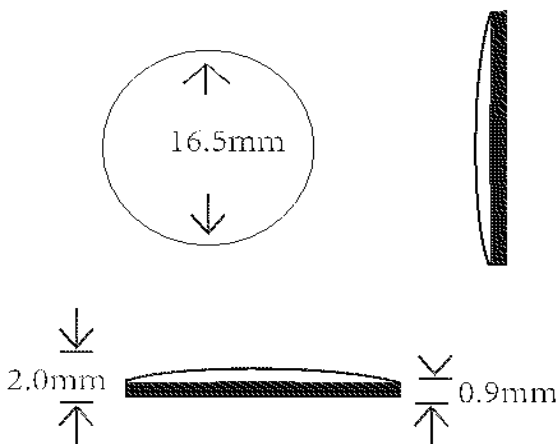
SAPPHIRE GLASS, DR-21.5X1.3X0.9, FOR LONGINES

28) GS-LGC-03-SRF



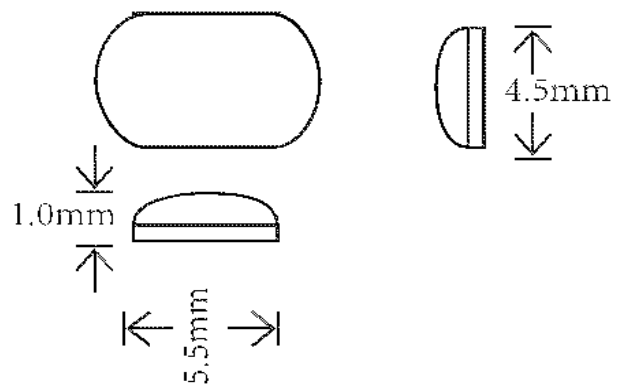
SAPPHIRE GLASS, SR-26.5X2.0X0.9, FOR LONGINES

29) GS-LGC-04-SRF



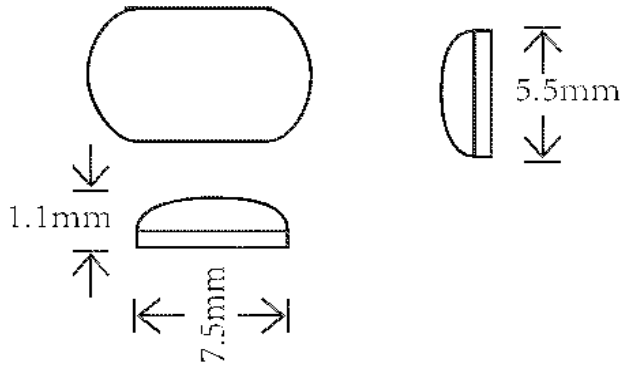
SAPPHIRE GLASS, SR-16.5X1.8X0.9, FOR LONGINES

30) GS-LTF5545



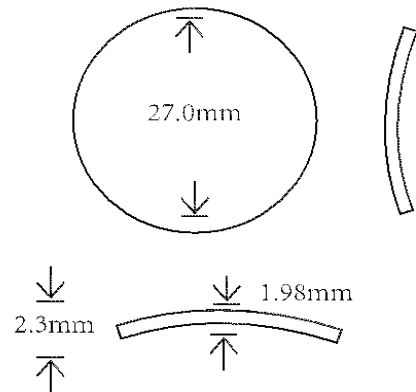
SAPPHIRE GLASS, DATE LEN, POLISHED, TV SHAPE, 5.5 mm X 4.5 mm

31) GS-LTF7055



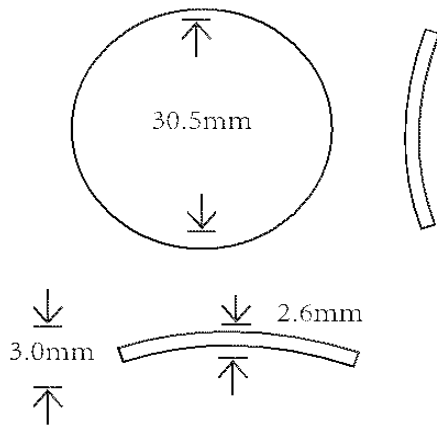
SAPPHIRE GLASS, DATE LEN, POLISHED, TV SHAPE, 7.0 mm X 5.5 mm

32) GS-OGC-01-DRF



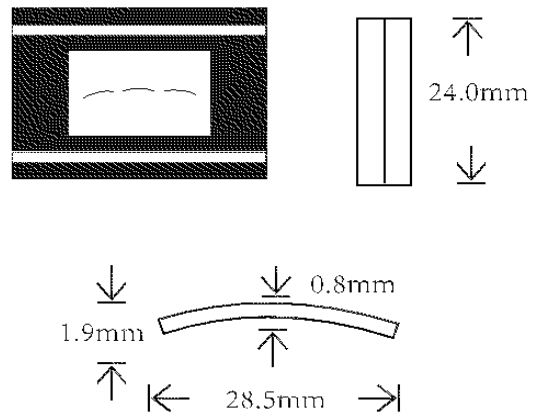
SAPPHIRE GLASS, DR-27.0X2.3X1.98, FOR OMEGA

33) GS-OGC-02-DRF



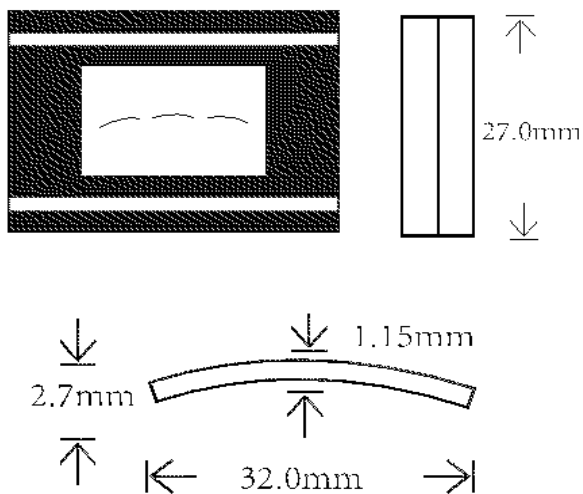
SAPPHIRE GLASS, DR-30.5X3.5X2.6, FOR OMEGA

34) GS-RAC-01-DTN



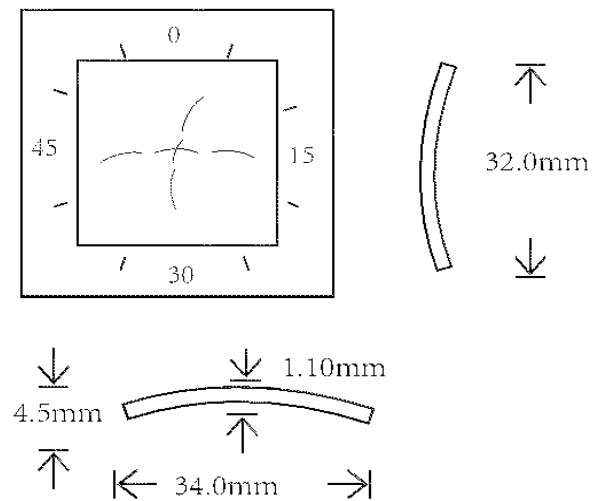
SAPPHIRE GLASS, DTV-24.0X28.5X0.8H1.9GB, FOR RADO

35) GS-RAC-02-DTN



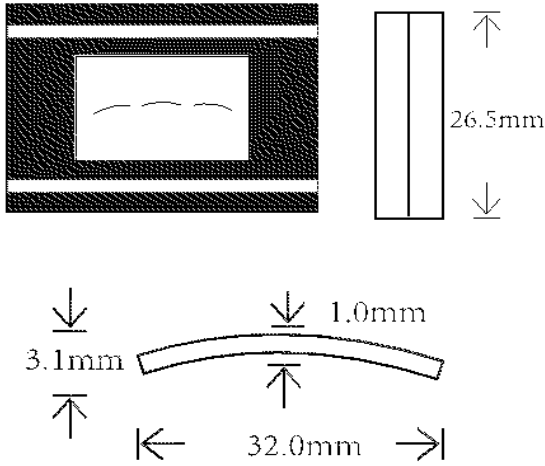
SAPPHIRE GLASS, DTV-27.0X32.0XH1.15GB, FOR RADO

36) GS-RAC-03-CTP



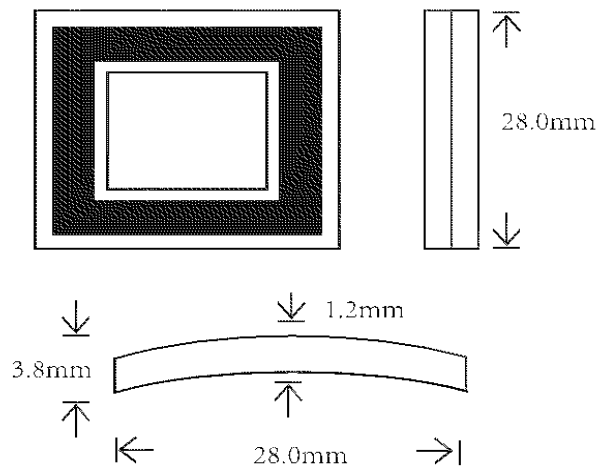
SAPPHIRE GLASS, CDTV-34.0X32.0XH1.1BS, FOR RADO

37) GS-RAC-04-DTN



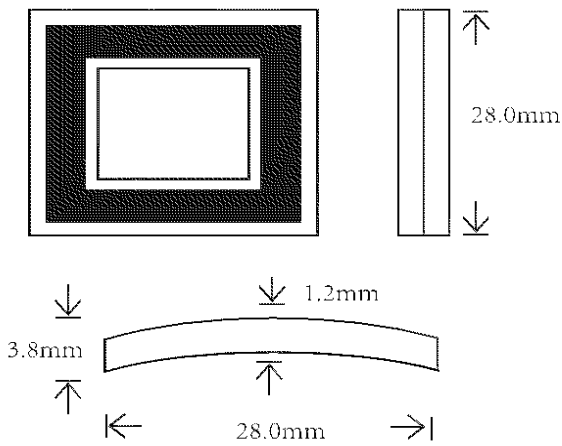
SAPPHIRE GLASS, DTV-26.5X32.0XHX1.0GB, FOR RADO

38) GS-RAC-05-DTN



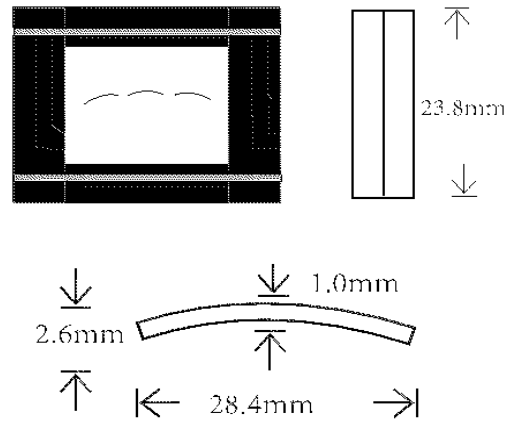
SAPPHIRE GLASS, DTV-28.0X28.0XHX1.2GB, FOR RADO

39) GS-RAC-05-DTP



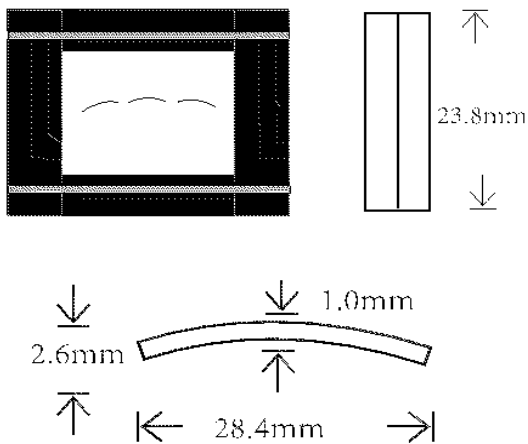
SAPPHIRE GLASS, DTV-28.0X28.0XHX1.2SB, FOR RADO

40) GS-RAC-06-DTN



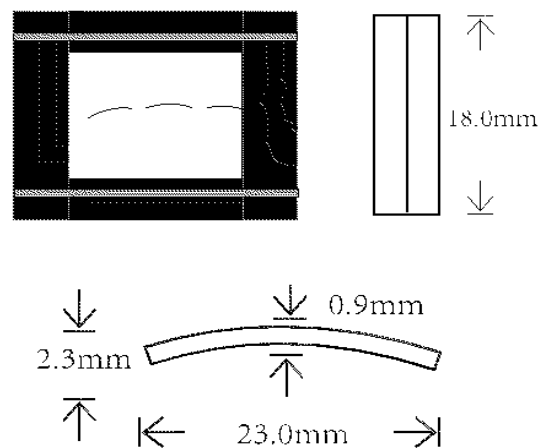
SAPPHIRE GLASS, DTV-23.8X28.4XHX1.0GB, FOR RADO

41) GS-RAC-06-DTP



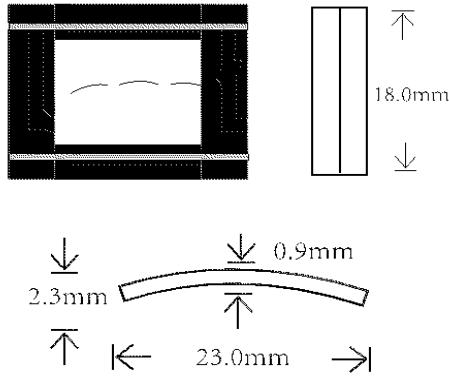
SAPPHIRE GLASS, DTV-23.8X28.4X1.0H2.6SB, FOR RADO

42) GS-RAC-07-DTP



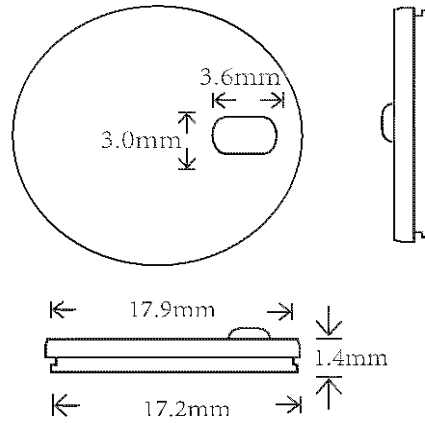
SAPPHIRE GLASS, DTV-18.0X23.0XHX0.9SB, FOR RADO

43) GS-RAC-08-DTN



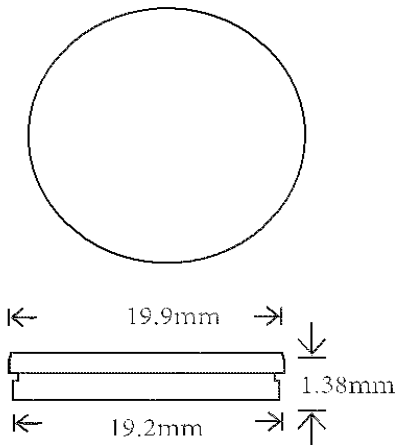
SAPPHIRE GLASS, DTV-18.0X23.0HX0.9GB, FOR RADO

44) GS-SSF179X172X1.4DL



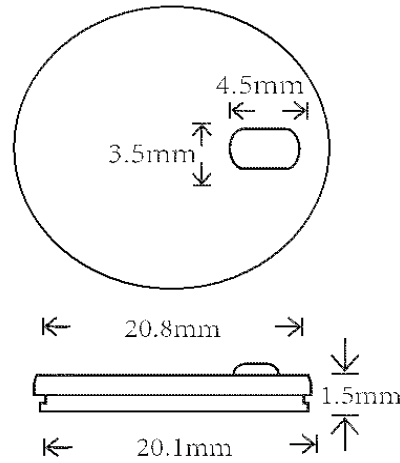
SAPPHIRE GLASS, SPECIAL SHAPE WITH POLISHED EDGE, WITH DATE LEN, DIAMETER 17.9 mm, BASE DIAMETER 17.2 mm, THICKNESS 1.4 mm FOR TDR

45) GS-SSF199X192X1.38NDL



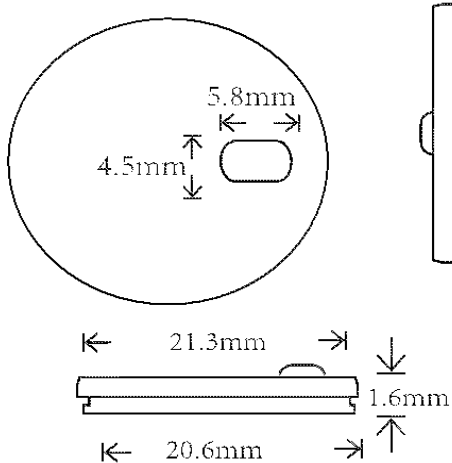
SAPPHIRE GLASS, SPECIAL SHAPE WITH POLISHED EDGE, WITHOUT DATE LEN, DIAMETER 19.9 mm, BASE DIAMETER 19.2 mm, THICKNESS 1.38 mm FOR RLX

46) GS-SSF208X201X1.5DL



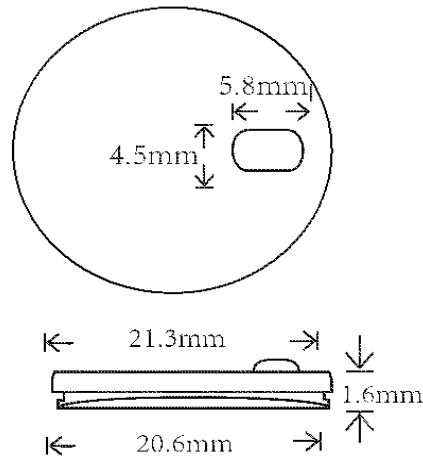
SAPPHIRE GLASS, SPECIAL SHAPE WITH POLISHED EDGE, WITH DATE LEN, DIAMETER 20.8 mm, BASE DIAMETER 20.1 mm, THICKNESS 1.5 mm FOR TDR

47) GS-SSF213X206X1.6DL



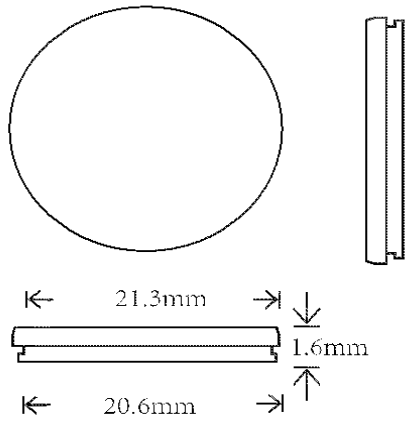
SAPPHIRE GLASS, SPECIAL SHAPE WITH POLISHED EDGE, WITH DATE LEN, DIAMETER 21.3 mm, BASE DIAMETER 20.6 mm, THICKNESS 1.6 mm FOR RLX

48) GS-SSF213X206X1.6DLP



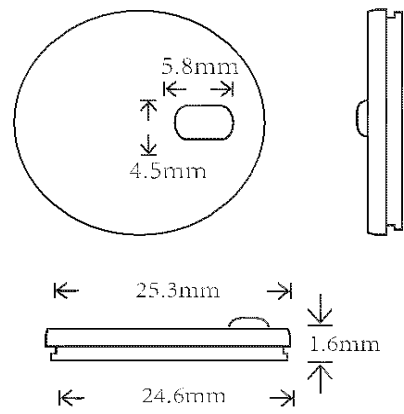
SAPPHIRE GLASS, SPECIAL SHAPE WITH POLISHED EDGE, PARABOLIC CYLINDRICAL SURFACE BASE, WITH DATE LEN, DIAMETER 21.3 mm, BASE DIAMETER 20.6 mm, THICKNESS 1.6 mm FOR RLX

49) GS-SSF213X206X1.6NDL



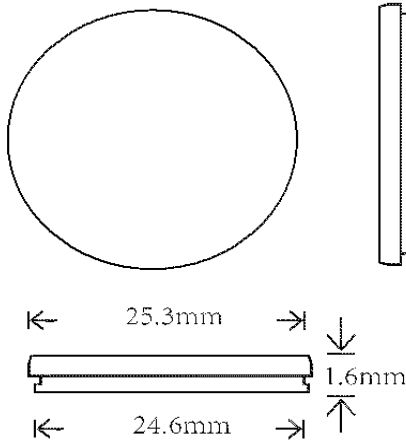
SAPPHIRE GLASS, SPECIAL SHAPE WITH POLISHED EDGE, WITHOUT DATE LEN, DIAMETER 21.3 mm, BASE DIAMETER 20.6 mm, THICKNESS 1.6 mm FOR RLX

50) GS-SSF253X246X1.6DL



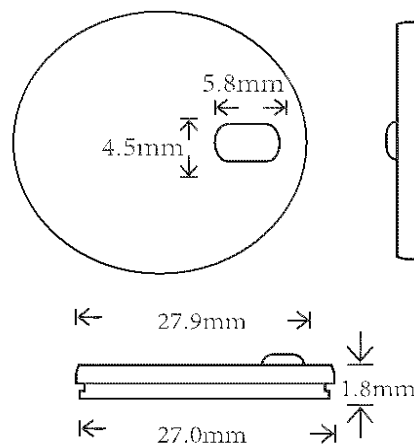
SAPPHIRE GLASS, SPECIAL SHAPE WITH POLISHED EDGE, WITH DATE LEN, DIAMETER 25.3 mm, BASE DIAMETER 24.6 mm, THICKNESS 1.6 mm FOR RLX

51) GS-SSF253X246X1.6NDL



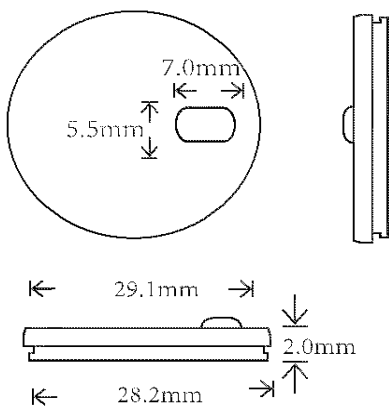
SAPPHIRE GLASS, SPECIAL SHAPE WITH POLISHED EDGE, WITHOUT DATE LEN, DIAMETER 25.3 mm, BASE DIAMETER 24.6 mm, THICKNESS 1.6 mm FOR RLX

52) GS-SSF279X270X1.8DL



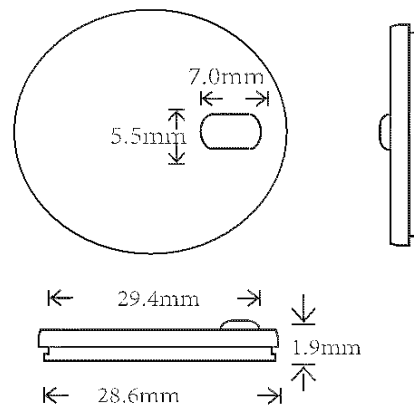
SAPPHIRE GLASS, SPECIAL SHAPE WITH POLISHED EDGE, WITH DATE LEN, DIAMETER 27.9 mm, BASE DIAMETER 27.0 mm, THICKNESS 1.8 mm FOR TDR

53) GS-SSF291X282X2.0DL



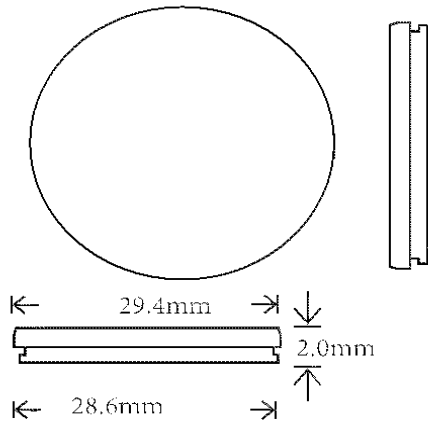
SAPPHIRE GLASS, SPECIAL SHAPE WITH POLISHED EDGE, WITH DATE LEN, DIAMETER 29.1 mm, BASE DIAMETER 28.2 mm, THICKNESS 2.0 mm FOR TDR

54) GS-SSF294X286X1.9DL



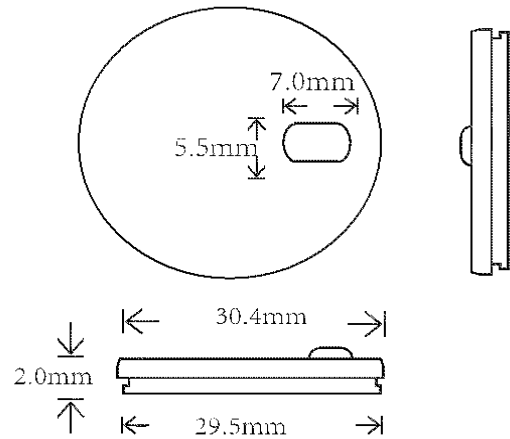
SAPPHIRE GLASS, SPECIAL SHAPE WITH POLISHED EDGE, WITH DATE LEN, DIAMETER 29.4 mm, BASE DIAMETER 28.6 mm, THICKNESS 1.9 mm FOR RLX

55) GS-SSF294X286X1.9NDL



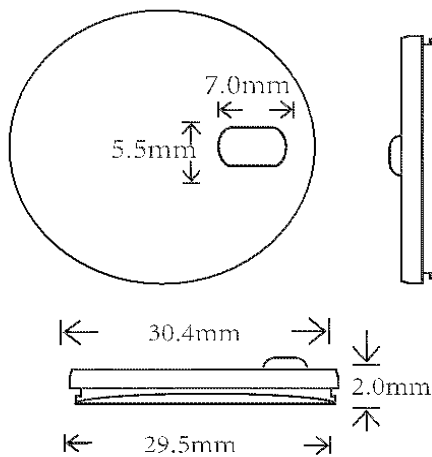
SAPPHIRE GLASS, SPECIAL SHAPE WITH POLISHED EDGE, WITHOUT DATE LEN, DIAMETER 29.4 mm, BASE DIAMETER 28.6 mm, THICKNESS 1.9 mm FOR RLX

56) GS-SSF304X295X2.0DL



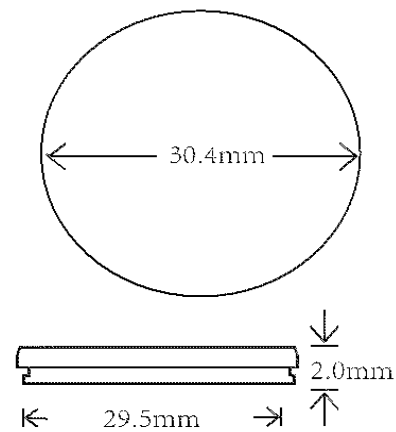
SAPPHIRE GLASS, SPECIAL SHAPE WITH POLISHED EDGE, WITH DATE LEN, DIAMETER 30.4 mm, BASE DIAMETER 29.5 mm, THICKNESS 2.0 mm FOR RLX

57) GS-SSF304X295X2.0DLP



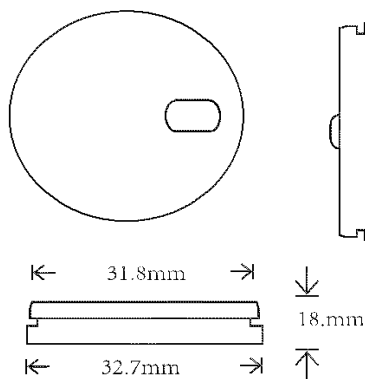
SAPPHIRE GLASS, SPECIAL SHAPE WITH POLISHED EDGE, PARABOLIC CYLINDRICAL SURFACE BASE, WITH DATE LEN, DIAMETER 30.4 mm, BASE DIAMETER 29.5 mm, THICKNESS 2.0 mm FOR RLX

58) GS-SSF304X295X2.0NDL



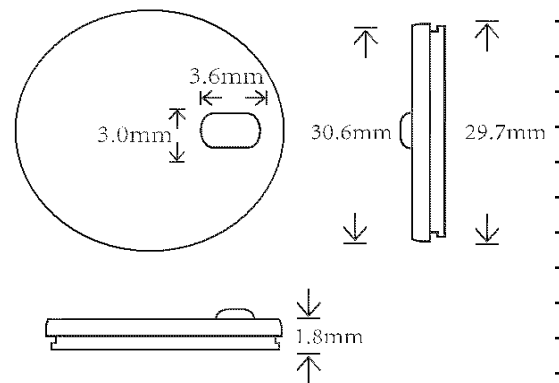
SAPPHIRE GLASS, SPECIAL SHAPE WITH POLISHED EDGE, WITHOUT DATE LEN, DIAMETER 30.4 mm, BASE DIAMETER 29.5 mm, THICKNESS 2.0 mm FOR RLX

59) GS-SSF327X318X1.8DL



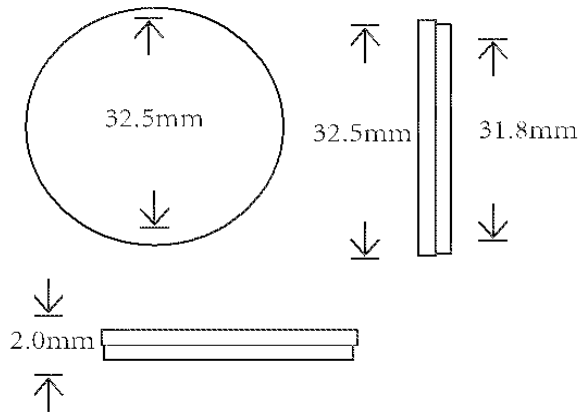
SAPPHIRE GLASS, SPECIAL SHAPE WITH POLISHED EDGE, WITH DATE LEN, DIAMETER 32.7 mm, BASE DIAMETER 31.8 mm, THICKNESS 1.8 mm FOR RLX

60) GS-TDC-297-SSF



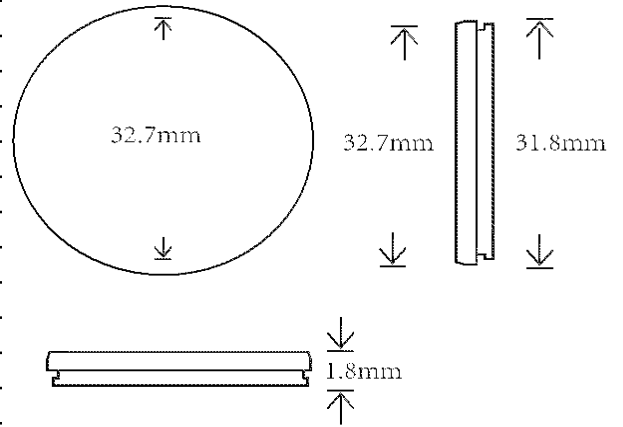
SAPPHIRE GLASS, SPECIAL SHAPE TWO STEP WITH TRENCH, WITH DATE LEN, DIAMETER 30.6 mm, BASE DIAMETER 29.7 mm, THICKNESS 1.8 mm FOR TDR

61) GS-TDC-318G-SSF



SAPPHIRE GLASS, SPECIAL SHAPE TWO STEP WITH TRENCH, WITH GREEN RING, WITHOUT DATE LEN, DIAMETER 32.5 mm, BASE DIAMETER 31.8 mm, THICKNESS 2.0 mm FOR TDR

62) GS-TDC-318W-SSF



SAPPHIRE GLASS, SPECIAL SHAPE TWO STEP WITH TRENCH, WITHOUT DATE LEN, DIAMETER 32.7 mm, BASE DIAMETER 31.8 mm, THICKNESS 1.8 mm FOR TDR